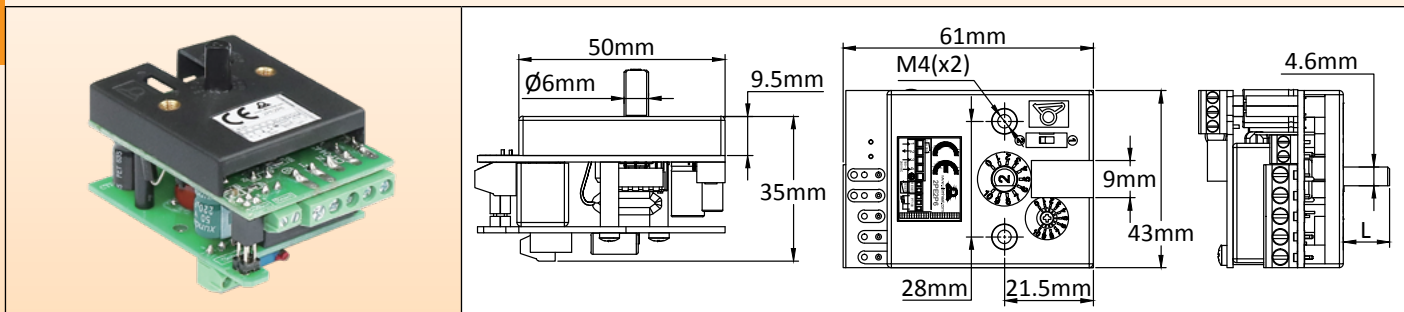




Electronic thermostats

Electronic thermostat, knob adjustment, remote sensor, Pt100 temperature sensor. **Type 2PE2P6**

Dimensions



Applications principles

This electronic thermostat for incorporation has been designed to allow a distant temperature control of flexible silicone heaters. It is mounted with two screws M4 at the same distance 28mm than bulb and capillary thermostats, uses a 6mm dia. shaft with 4.6mm flat, and its knob rotation angle is 230°. Its electrical rating is 16A 230V, identical to the electromechanical thermostats. **This is an economical solution, useful in catering equipment.**

Main features

Action: On-Off.

Size: 61 × 43 × 35mm.

Temperature sensor: Pt100

Temperature range: 50-200°C (120-390°F)

Temperature differential: adjustable, by potentiometer with front access, from 0.5 to 5.5°C (0.9 to 10°F) for other temperature ranges.

Accuracy: +/- -1% of scale (NTC sensor tolerances not included).

Power supply: 180 to 240V, 50Hz or 60Hz.

Relay output: 16A250V resistive, 100000 cycles.

Relay action: open on temperature rise.

Ambient: -20+50°C, 10-85% RH.

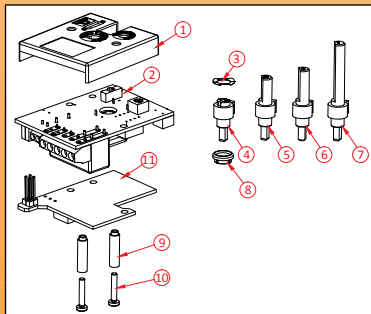
Power: <2W

Electrical connections:

- Power supply and power relay: 2.5mm² screw terminal block.
- Temperature sensor: 1.5mm² screw terminal block.

Adjustment shaft: the thermostat is shipped with a dia. 6mm with 4.6mm flat shaft, length 11mm, assembled. Included is also a set of: one 15mm shaft, one 28mm shaft and one screw driver adjustment shaft.

Options: available with many other temperature ranges. Also available with manual reset action (Ask for full technical data sheet).



- 1: Cover
- 2: Main printed circuit board
- 3: Elastic washer
- 4: Screw driver shaft
- 5: 11mm shaft fitted in standard
- 6: 15mm shaft
- 7: 28mm shaft
- 8: Shaft bearing
- 9: Plastic spacer
- 10: Cover screws, (unscrew to change shaft length)
- 11: Pt100 input printed circuit board

Standards: Comply with LVD and EMC (CE certificate by TÜV), upon the following standards:
EN55014-1:2006+A1+A2;
EN55014-2: 1997+A1+A2;
EN61000-3-2:2014;
EN61000-3-3:2013;
EN60730-1:2011;
EN60730-2-9:2010, and ROHS compliance certificate.

Part number: 2PE2P6

Soft grip printed knobs and bezels part numbers

(Must be ordered separately, not included in the electronic thermostat)

°C Printing	°F Printing	Black ABS bezel	Chrome plated ABS Bezel
66MZ0060502001FW	66MZ0060502001FX	66EN1	66EN3